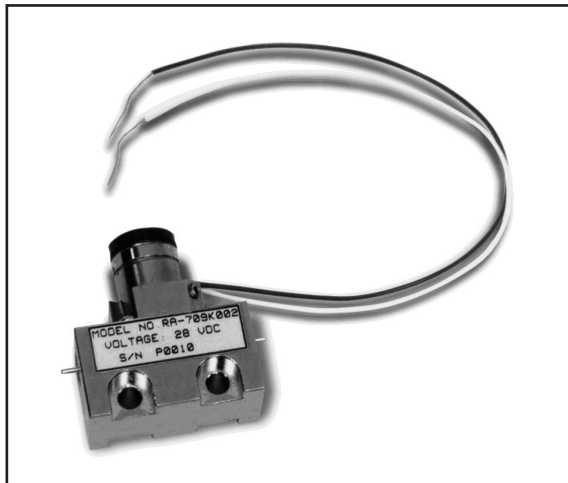
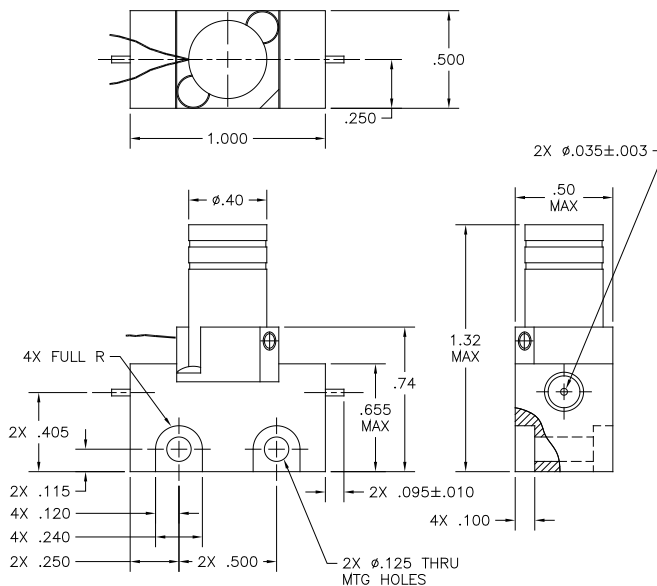


RA SERIES
MINIATURE 1P1T SWITCH
DC-3 GHz ♦ SURFACE MOUNT



The **RA Series** features compact, lightweight, surface mount, hot switching at a frequency of DC to 3 GHz.

Weight: 0.5oz
RF Impedance: 50 ohms nominal
Temperature Range: -35°C to +85°C ambient
Operating Life: 1,000,000 cycles min.
Switching Time: 12 mSec max.
Switching Sequence: Break Before Make
Environmental: Desinged to meet Mil-DTL-3928



SPECIFICATIONS

Frequency	VSWR (max.)	Insertion Loss (dB max.)	Isolation (dB min.)	Power Handling
DC-3 GHz	1.20	0.20	80	80 w cw

Actuator Current (typical)	24-30Vdc
Normally Open	87mA

AVAILABLE OPTIONS

OPTION 2 RF CONNECTORS	OPTION 4 VOLTAGE	OPTION 5 ACTUATOR	OPTION 6 FREQUENCY
7 - Special - PIN	3 - 24-30 Vdc	Normally Open	1 - DC to 3 GHz
OPTION 3 TERMINALS		K - Standard	OPTION 7 POLARITY
0 - Flying Leads			0 - Not Applicable

