

FIG 1 SPDT, FAILSAFE TO POSITION 1

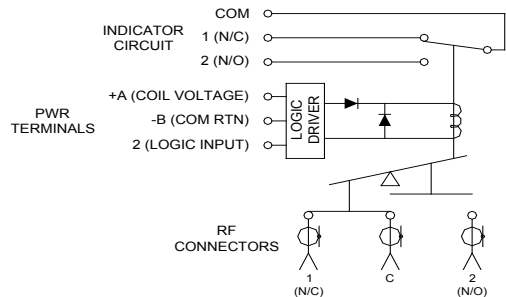


FIG 2 SPDT, FAILSAFE TO POSITION 1, LOGIC CONTROLLED

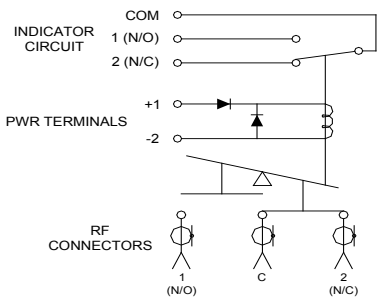


FIG 3 SPDT, FAILSAFE TO POSITION 2

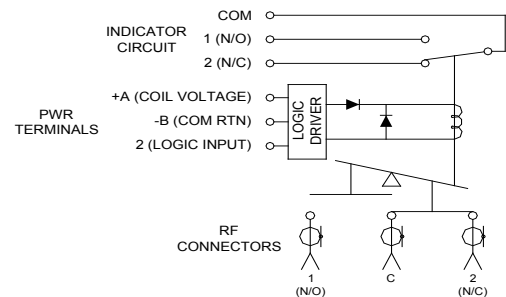


FIG 4 SPDT, FAILSAFE TO POSITION 2, LOGIC CONTROLLED

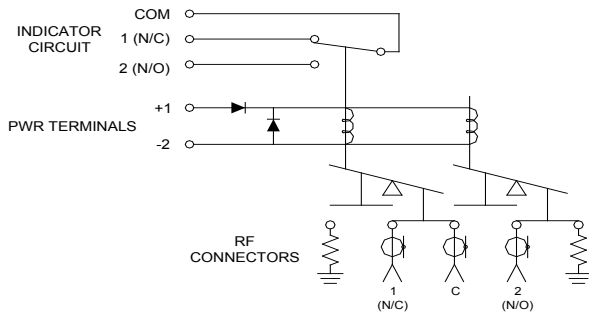


FIG 5 SPDT, FAILSAFE, TERMINATED

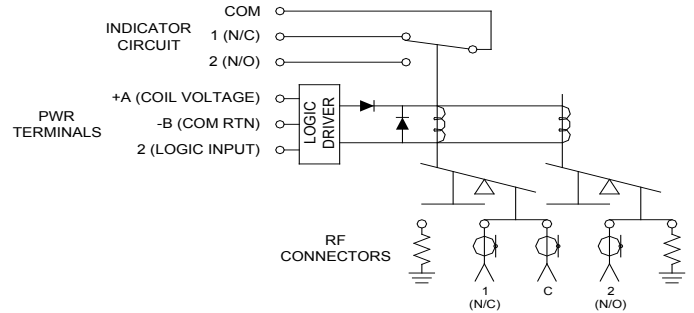


FIG 6 SPDT, FAILSAFE, LOGIC CONTROLLED, TERMINATED

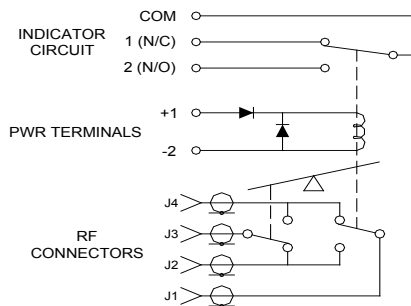


FIG 7 TRANSFER, FAILSAFE

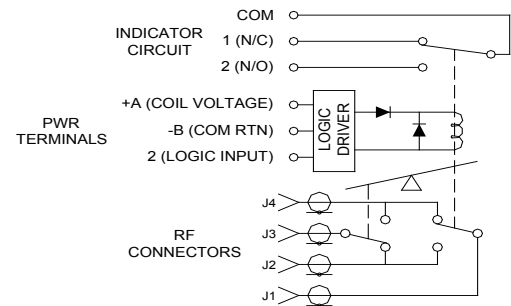


FIG 8 TRANSFER, FAILSAFE, LOGIC CONTROLLED

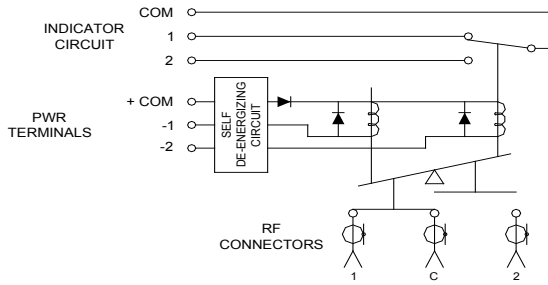


FIG 9 SPDT, LATCHING (SELF DE-ENERGIZING)

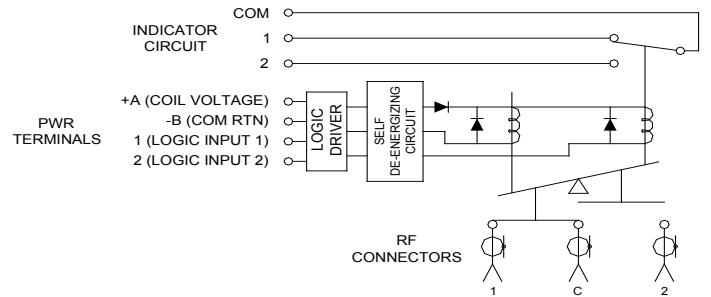


FIG 10 SPDT, LATCHING (SELF DE-ENERGIZING) LOGIC CONTROLLED

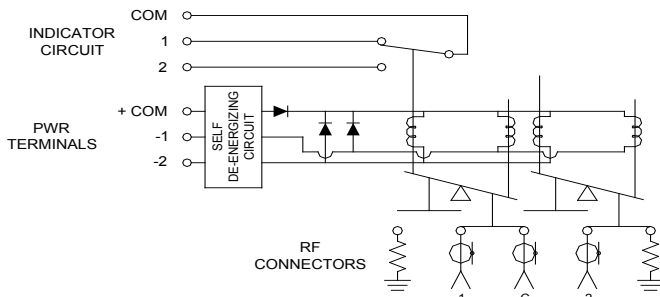


FIG 11 SPDT, LATCHING (SELF DE-ENERGIZING) TERMINATED

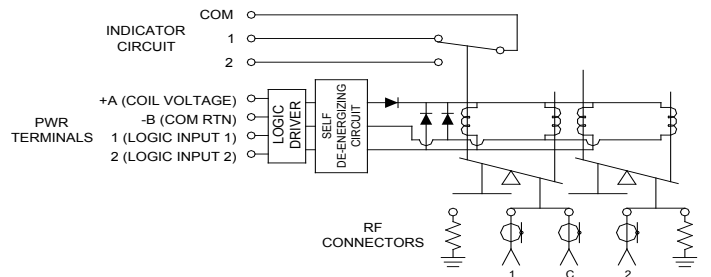


FIG 12 SPDT, LATCHING (SELF DE-ENERGIZING) LOGIC CONTROLLED, TERMINATED

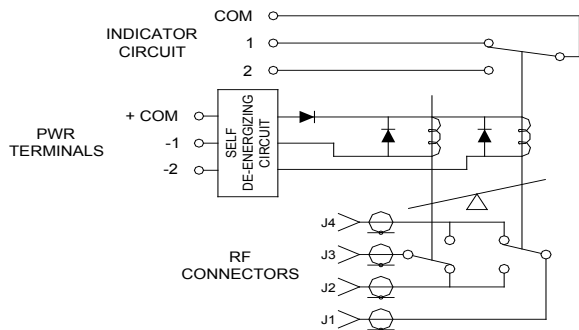


FIG 13 TRANSFER, LATCHING (SELF DE-ENERGIZING)

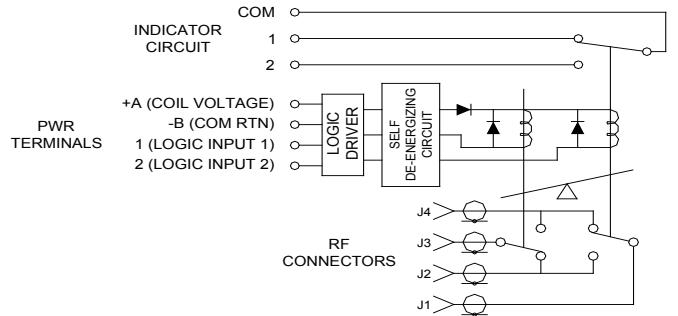


FIG 14 TRANSFER, LATCHING (SELF DE-ENERGIZING) LOGIC CONTROLLED

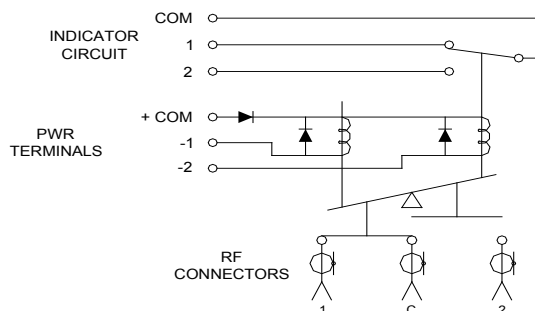


FIG 15 SPDT, PULSE LATCHING

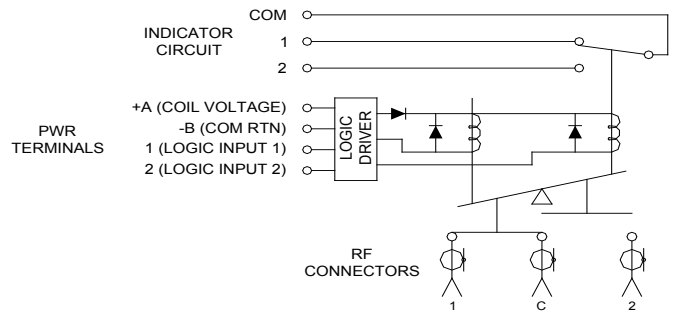


FIG 16 SPDT, PULSE LATCHING, LOGIC CONTROLLED

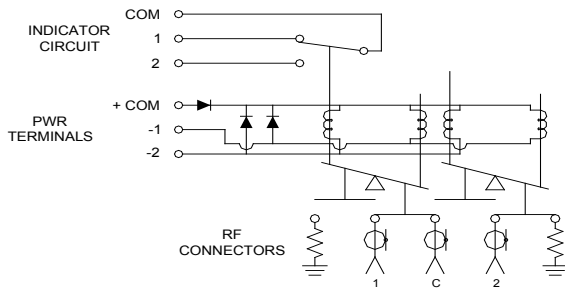


FIG 17 SPDT, PULSE LATCHING, TERMINATED

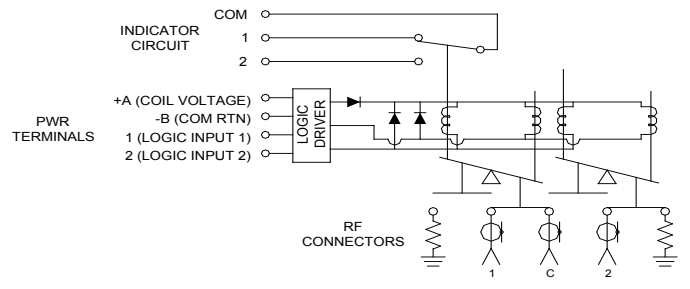


FIG 18 SPDT, PULSE LATCHING LOGIC CONTROLLED, TERMINATED

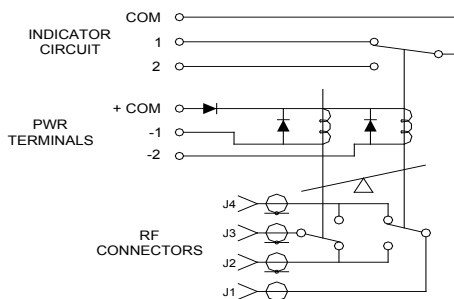


FIG 19 TRANSFER, PULSE LATCHING

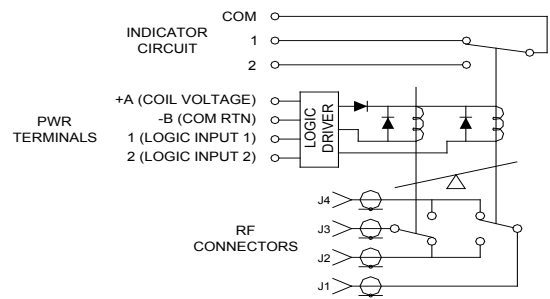


FIG 20 TRANSFER, PULSE LATCHING, LOGIC CONTROLLED

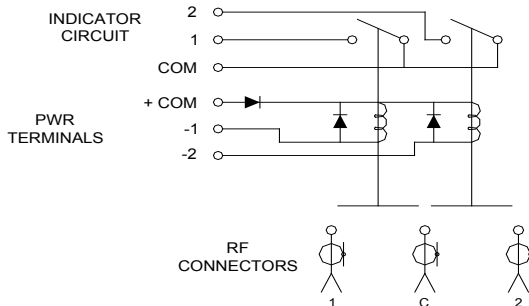


FIG 21 SPDT, NORMALLY OPEN

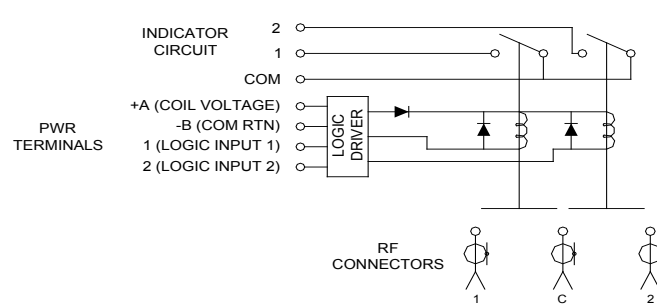


FIG 22 SPDT, NORMALLY OPEN, LOGIC CONTROLLED

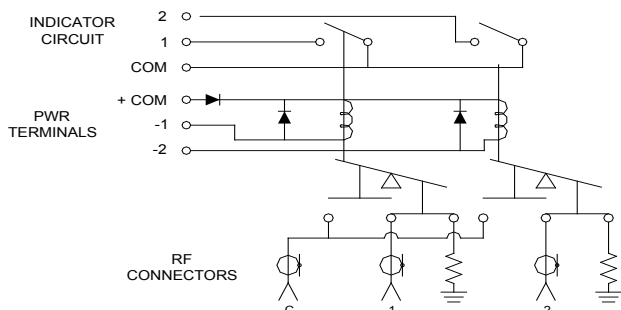


FIG 23 SPDT, NORMALLY OPEN, TERMINATED

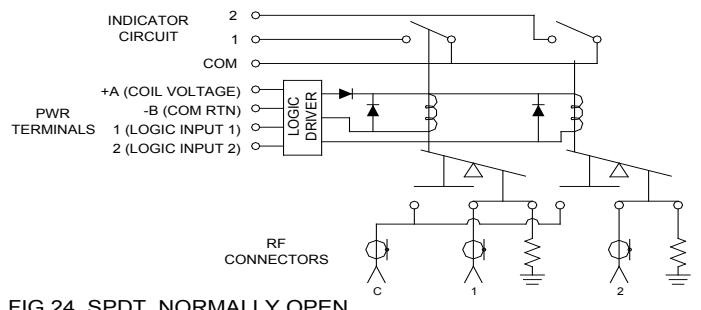


FIG 24 SPDT, NORMALLY OPEN LOGIC CONTROLLED, TERMINATED

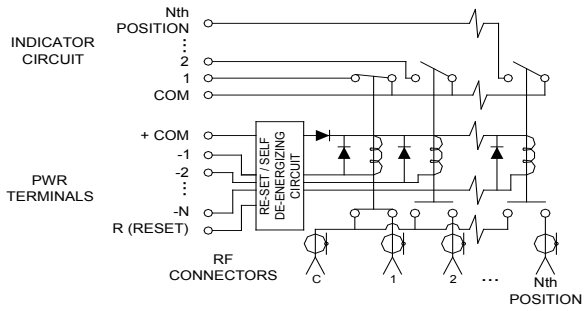


FIG 25 MULTI POSITION, LATCHING (SELF DE-ENERGIZING)

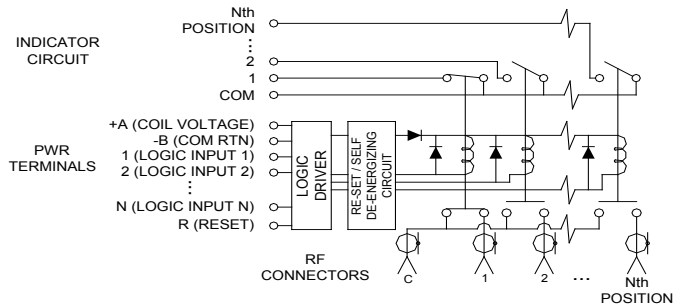


FIG 26 MULTI POSITION, LATCHING (SELF DE-ENERGIZING) LOGIC CONTROLLED

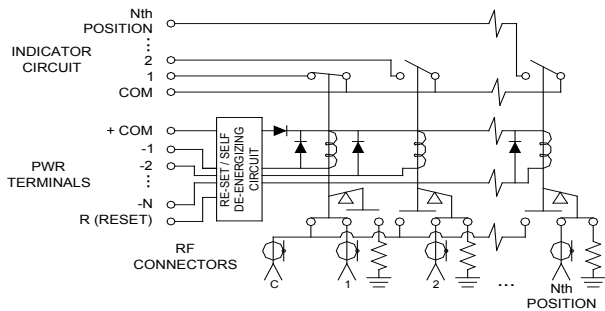


FIG 27 MULTI POSITION, LATCHING (SELF DE-ENERGIZING) TERMINATED

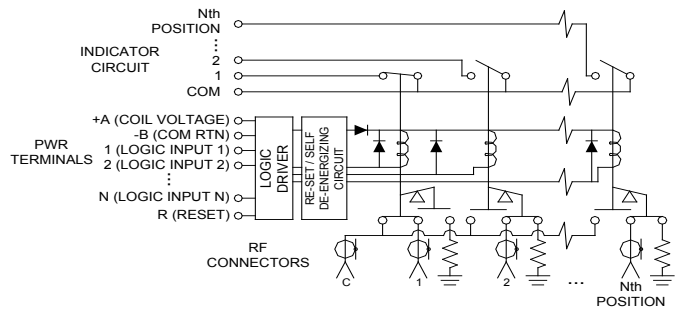


FIG 28 MULTI POSITION, LATCHING (SELF DE-ENERGIZING) LOGIC CONTROLLED, TERMINATED

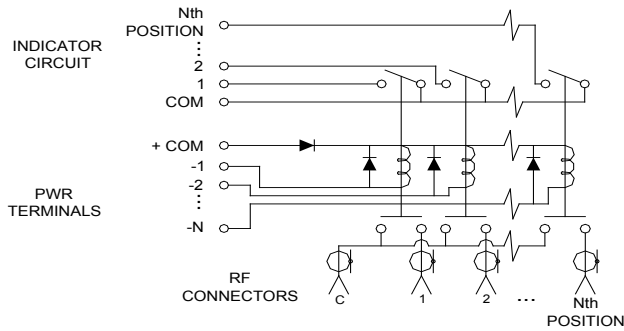


FIG 29 MULTI POSITION, NORMALLY OPEN

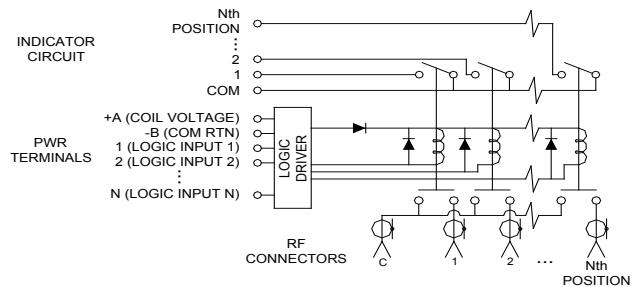


FIG 30 MULTI POSITION, NORMALLY OPEN, LOGIC CONTROLLED

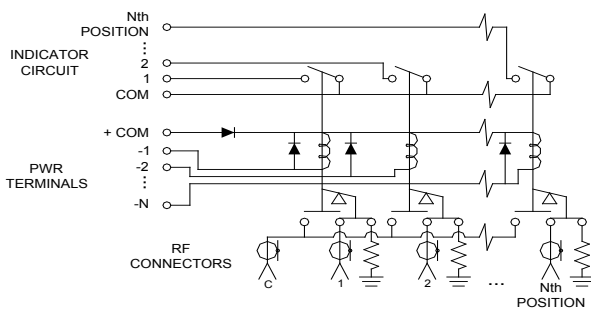


FIG 31 MULTI POSITION, NORMALLY OPEN, TERMINATED

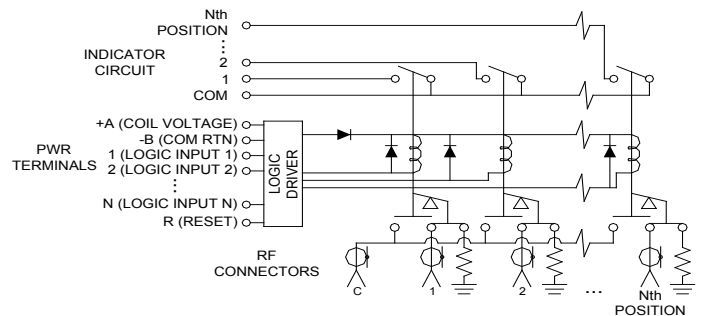


FIG 32 MULTI POSITION, NORMALLY OPEN, LOGIC CONTROLLED, TERMINATED

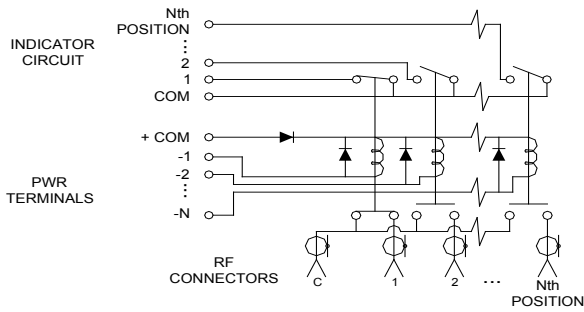


FIG 33 MULTI POSITION, NORMALLY OPEN WITH FAILSAFE TO POSITION 1

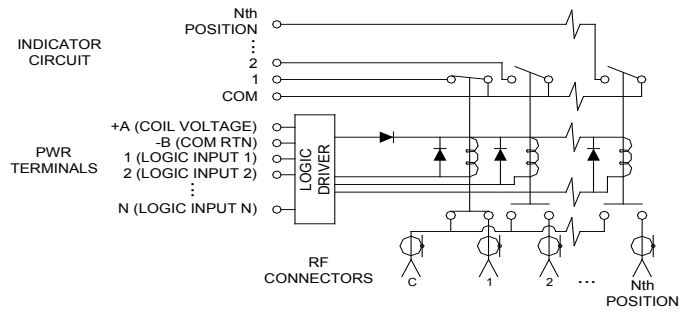


FIG 34 MULTI POSITION, NORMALLY OPEN WITH FAILSAFE TO POSITION 1, LOGIC CONTROLLED

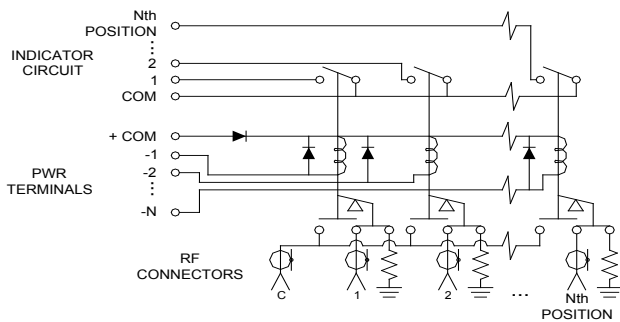


FIG 35 MULTIPOSITION, NORMALLY OPEN WITH FAILSAFE TO POSITION 1, TERMINATED

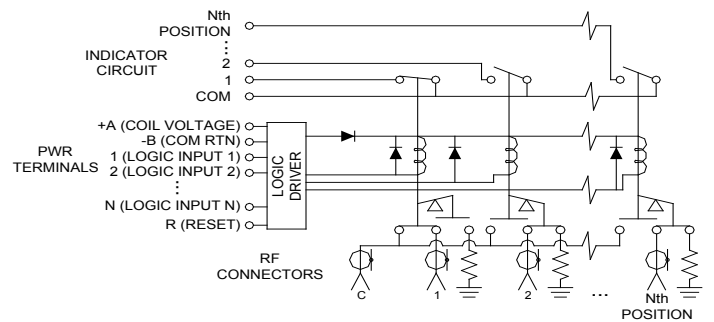


FIG 36 MULTI POSITION, NORMALLY OPEN WITH FAILSAFE TO POSITION 1, LOGIC CONTROLLED, TERMINATED

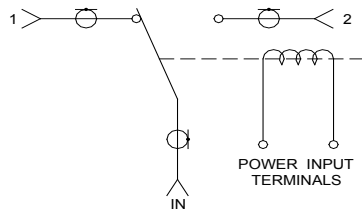


FIG 37 PSDT, FAILSAFE TO POSTION 1, TOH SERIES ONLY

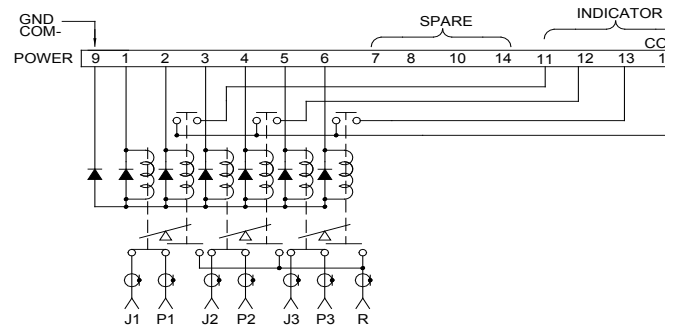


FIG 38 4P3T, LATCHING, MM4 SERIES ONLY